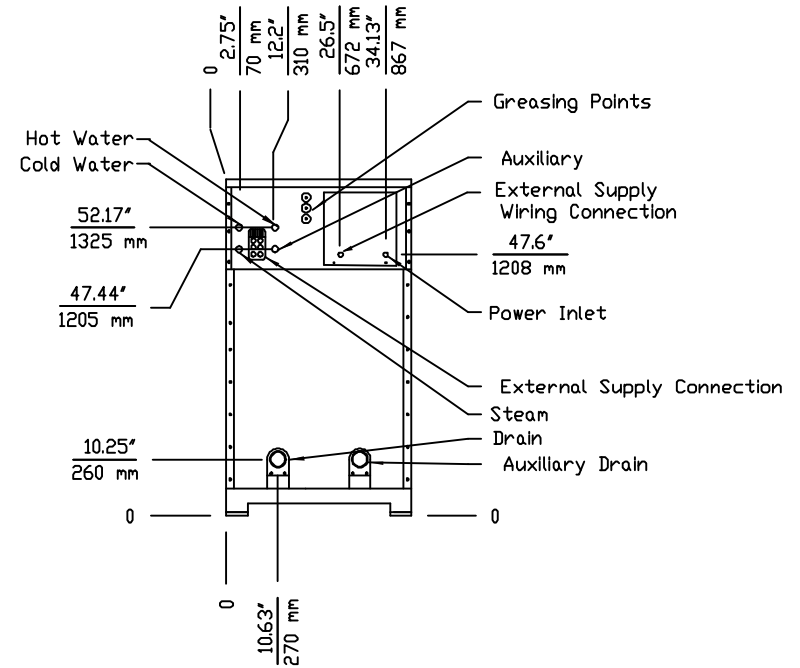
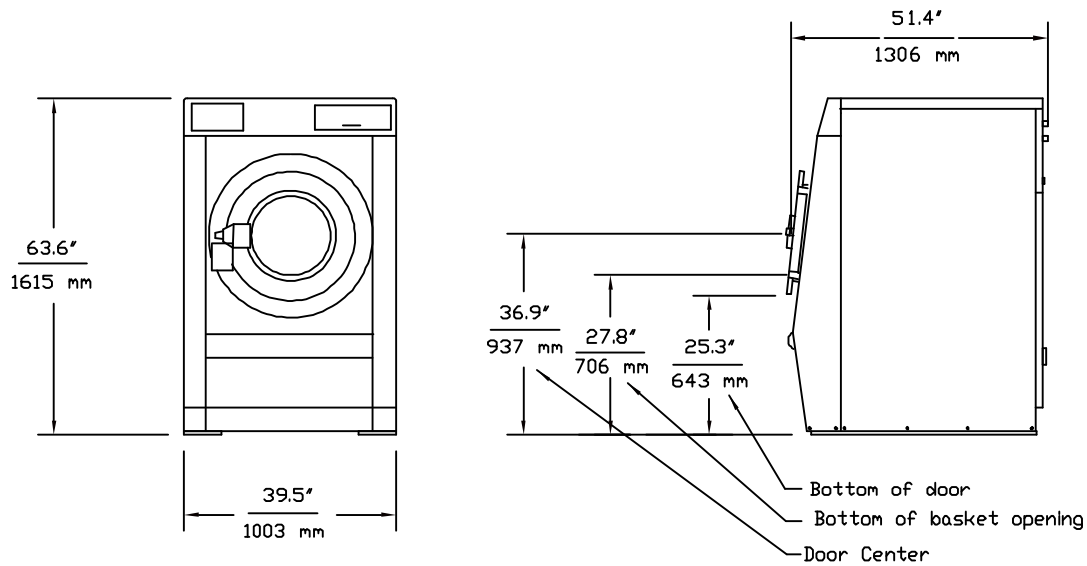


A



Electrical Requirements

Voltage	Phase	System Wire	Wire Size	Amps	Breaker
208-240VAC, 50/60Hz, 1PH	1	2 + GND	14	15	20
208-240VAC, 50/60Hz, 3PH	3	3 + GND	14	9	15
380-460VAC, 50/60Hz, 3PH	3	3 + GND	14	4	15
208-240VAC, 50/60Hz, 3PH Elec. Heat	3	3 + GND	4	53	60
380-460VAC, 50/60Hz, 3PH Elec. Heat	3	3 + GND	10	27	30

Drain Requirements

Connection Size		Discharge Rate		Min Sewer Line	
inches	mm	gal/min	liters/min	inches	mm
3	76	62	235	4	102

Water Requirements

Water			Flow Rate (@45PSI/3Bar)		Minimum Supply Line Size		Max Operating Pressure				
Connection Size	Line Pressure	Max Temp	gal/min	liter/min	US	Metric	US	Metric			
US Metric	PSI Bar	F C									
3/4"	DN 19	30-75	2-5	200	93	11	40	1	DN 25	125 PSI	8 Bar

Steam Requirements

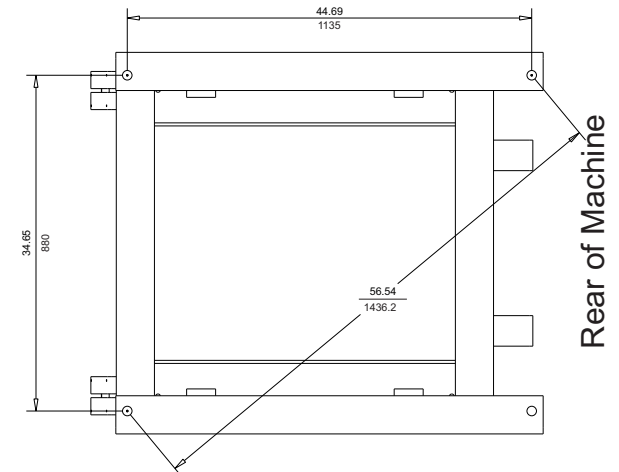
Steam				Minimum Supply Line Size		Max Operating Pressure	
Connection Size	Line Pressure			US	Metric	US	Metric
US Metric	PSI Bar						
1/2"	DN 12	30-75	2-5	1/2"	DN 12	100 PSI	6 Bar

Dynamic Load Specifications


Static floor load		Static pressure		Total Dynamic Load		Dynamic pressure		Dynamic Frequency
kN	lbs	kN/m2	lbs/ft2	kN	lbs	kN/m2	lbs/ft2	Hz
8.9	2001	6.8	142	4.7	1048	3.6	74	14.83

Shipping Data

Type	lbs	kg	cu ft	cu m
Domestic	1435	652	74.5	2.1
Export	1567	712	74.5	2.1



MOUNTING BOLT DETAIL

REV	BY	DATE	REV. DESCRIPTION
A3	AFA	6-23-2021	Updated electrical specs
DRAWN BY		DATE	 Panama City, FL Phone: 850-249-2222 Fax: 850-249-2226 www.bandctech.com
A. Adcock		9-30-2013	
CHECKED BY		DATE	
C. Oswald		9-30-2013	
DESCRIPTION			
General Technical Specifications SP-75			
DATE	FILE NAME	SHEET	
9-30-2013	SP-75GenSpec.cdr	1 OF 1	