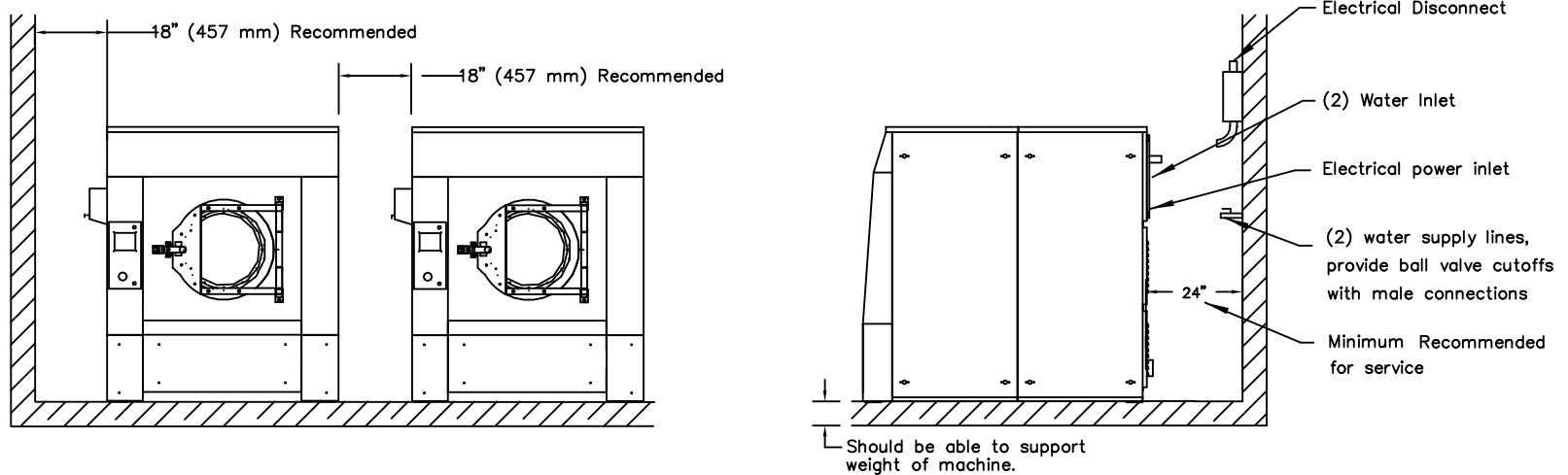
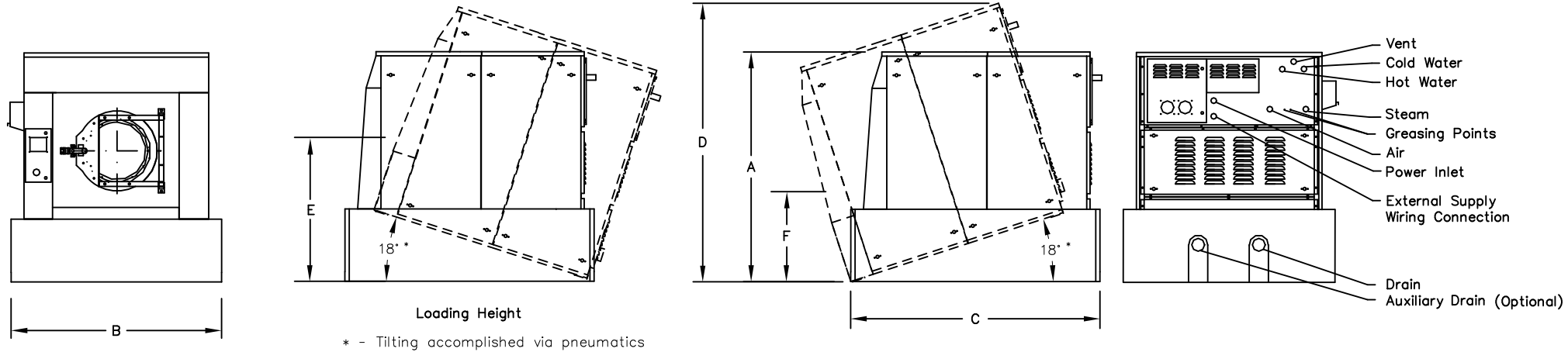


B&C SI SERIES TILT GENERAL DIMENSIONS & RECOMMENDED CLEARANCES



	SI-110 1-Way Tilt		SI-110 2-Way Tilt		SI-135 1-Way Tilt		SI-135 2-Way Tilt		SI-200 1-Way Tilt		SI-200 2-Way Tilt		SI-275 1-Way Tilt		SI-275 2-Way Tilt		SI-300 1-Way Tilt		SI-300 2-Way Tilt	
	INCH	MM	INCH	MM	INCH	MM	INCH	MM	INCH	MM	INCH	MM	INCH	MM	INCH	MM	INCH	MM	INCH	MM
A	71	1803	74	1880	77.75	1975	80.75	2051	82	2083	86	2184	89	2261	93	2362	89	2261	93	2362
B	65.5	1664	65.5	1664	72	1829	72	1829	77	1956	77	1956	84	2133	84	2133	84	2133	84	2133
C	78.5	1994	78.5	1994	80.5	2045	80.5	2045	91	2311	93	2362	96	2438	96	2464	100	2540	100	2540
D	86.2	2190	89.2	2266	88.5	2248	91.5	2324	102.17	2595	105.17	2671	113.2	2875	116.2	2952	114.2	2901	117.2	2977
E	54.5	1384	57.3	1455	56.8	1443	59.7	1516	62.5	1588	65.4	1661	65.3	1659	68.1	1730	66.5	1689	69.4	1763
F	26.4	669	27.5	699	28.1	763	29.2	793	30.1	763	31.24	793	31.1	790	32.3	820	31.1	790	32.3	820