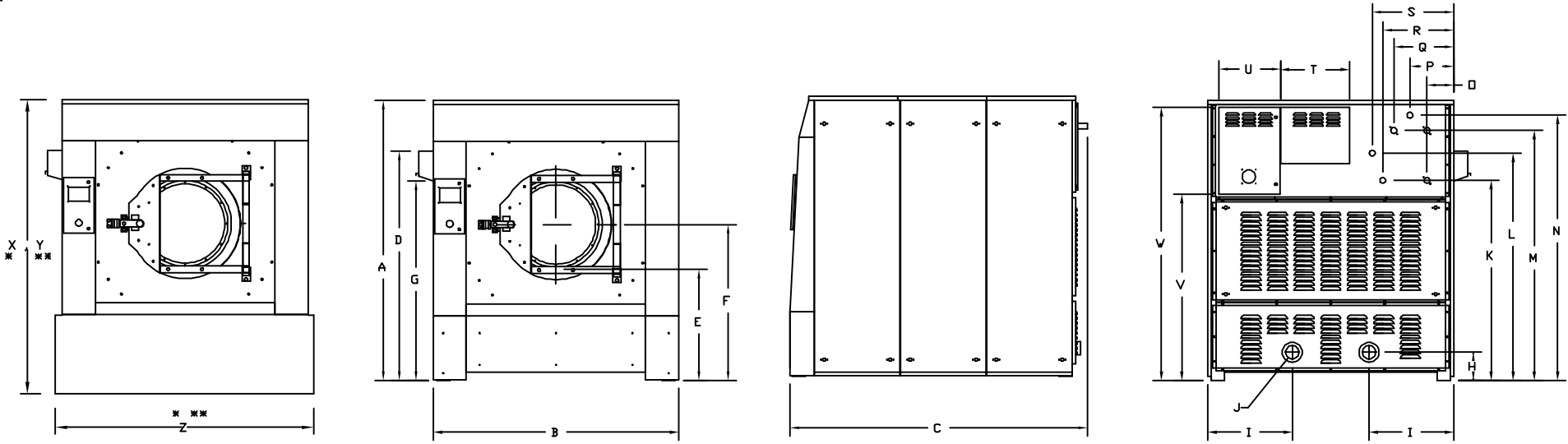


A



* One-way Tilt
 ** Two-way Tilt

Electrical Requirements

Voltage	Phase	System Wire	Wire Size	Amps	Breaker
208-240VAC, 50/60Hz, 3PH	3	3 + GND	6ga	89	90
380-460VAC, 50/60Hz, 3PH	3	3 + GND	8ga	45	50

Drain Requirements

Connection Size		Discharge Rate		Min Sewer Line	
inches	mm	gal/min	liters/min	inches	mm
4	102	150	560	5	127

Water Requirements

Water				Flow Rate (@45PSI/3Bar)		Minimum Supply Line Size		Max Operating Pressure	
Connection Size		Line Pressure		Max Temp		US	Metric	US	Metric
US	Metric	PSI	Bar	F	C	gal/min	liter/min	1-1/2	DN 38
1-1/4"	DN 32	30-75	2-5	200	93	37	140	125 PSI	8 Bar

Steam Requirements

Steam				Minimum Supply Line Size		Max Operating Pressure	
Connection Size		Line Pressure		US	Metric	US	Metric
US	Metric	PSI	Bar	US	Metric	US	Metric
1"	DN 25	30-75	2-5	1"	DN 19	100 PSI	6 Bar

Compressed Air

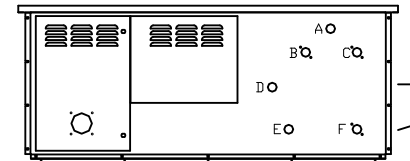
Connection Size		Consumption		Pressure	
US	Metric	US	Metric	US	Metric
3/8" NPT		0.5CFM	0.01 CMM	80-100 PSI	5.5-5.7 BAR

Dynamic Load Specifications

Static floor load		Static pressure		Total Dynamic Load		Dynamic pressure		Dynamic Frequency
kN	lbs	kN/m2	lbs/ft2	kN	lbs	kN/m2	lbs/ft2	Hz
54.4	12218	12.3	256	17.15636973	3856.248	3.9	81	11

Shipping Data


Type	lbs	kg	cu ft	cu m
Domestic	10435	4743	388.6	11
Export	40560	18436	388.6	11



- A - AIR VENT
- B - HOT WATER INLET
- C - COLD WATER INLET
- D - MAIN POWER VIA
- E - COMPRESSED AIR
- F - STEAM INLET

Dimensions

Ref	Inch	mm
A	85	2159
B	74.25	1886
C	93	2362
D	39.5	1003
E	36.5	927
F	51.75	1314
G	61.5	1562
H	8.5	216
I	25.75	654
J	4	102
K	61.5	1562
L	71.5	1816
M	73	1854
N	79.5	--
O	5.75	146
P	10.75	--
Q	15.75	400
R	21.5	546
S	30	762
T	19.75	502
U	18.75	476
V	56.75	1441
W	82.5	2096
X	88	2235
Y	91	2311
Z	84	2134

REV	BY	DATE	REV. DESCRIPTION
A1	AFA	12-4-2009	Created
DRAWN BY		DATE	 Panama City, FL Phone: 850-249-2222 Fax: 850-249-2226 www.bandctech.com
A. Adcock		12-4-2009	
CHECKED BY		DATE	
S. Brown		12-4-2009	
DESCRIPTION			
General Technical Specifications			
SI-300			
DATE	FILE NAME	SHEET	
12-4-2009	SI-300GenSpec.cdr	1 OF 1	