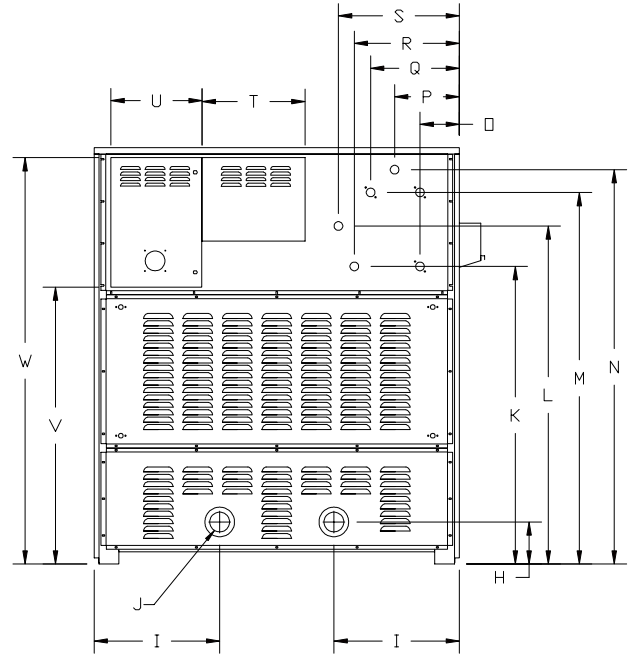
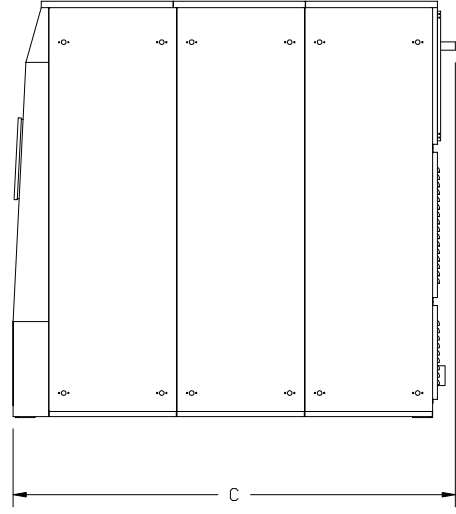
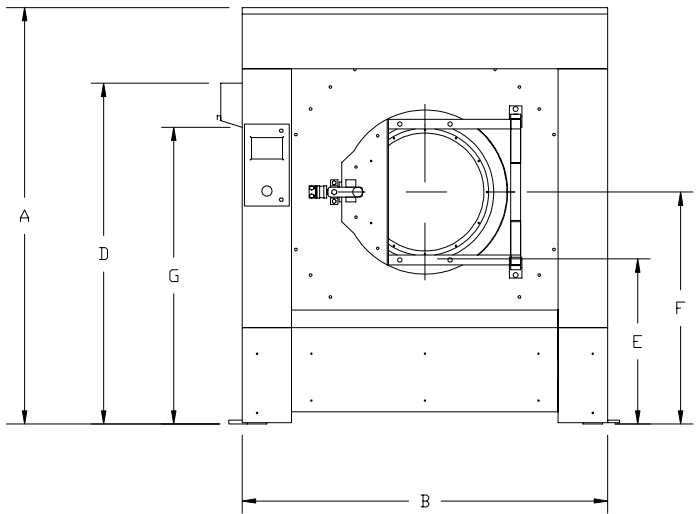


A



**Electrical Requirements**

Voltage	Phase	System Wire	Wire Size	Amps	Breaker
208-240VAC, 50/60Hz, 3PH	3	3 + GND	6ga	58	60
380-460VAC, 50/60Hz, 3PH	3	3 + GND	8ga	29	30
Average Consumption, kW-hr per load				1.64	

**Drain Requirements**

Connection Size		Discharge Rate		Min Sewer Line	
inches	mm	gal/min	liters/min	inches	mm
4	102	150	560	5	127

**Water Requirements**

Water				Flow Rate (@45PSI/3Bar)		Minimum Supply Line Size		Max Operating Pressure			
Connection Size		Line Pressure		Max Temp		US	Metric	US	Metric		
US	Metric	PSI	Bar	F	C	gal/min	liter/min				
1-1/4"	DN 32	30-75	2-5	200	93	37	140	1-1/2	DN 38	125 PSI	8 Bar

**Steam Requirements**

Steam				Minimum Supply Line Size		Max Operating Pressure	
Connection Size		Line Pressure		US	Metric	US	Metric
US	Metric	PSI	Bar	US	Metric	US	Metric
1"	DN 25	30-75	2-5	1"	DN 19	100 PSI	6 Bar

**Compressed Air**

Connection Size		Consumption		Pressure	
US	Metric	US	Metric	US	Metric
	3/8" NPT	0.5CFM	0.01 CMM	80-100 PSI	5.5-5.7 BAR

**Dynamic Load Specifications**

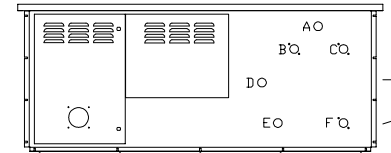
Static floor load		Static pressure		Total Dynamic Load		Dynamic pressure		Dynamic Frequency
kN	lbs	kN/m2	lbs/ft2	kN	lbs	kN/m2	lbs/ft2	Hz
39.5	8875	11.0	229	11.38143009	2558.211	3.2	66	11.7

**Shipping Data**


Type	lbs	kg	cu ft	cu m
Domestic	7675	3489	318.9	9
Export	7765	3530	318.9	9

**Dimensions**

Ref	Inch	mm
A	78	1981
B	67	1702
C	85	2159
D	65	1651
E	34.25	870
F	46.25	1175
G	64.5	1638
H	8.5	216
I	22	559
J	4	102
K	56.25	1429
L	64.25	1632
M	66.75	1695
N	72.75	1848
O	6.5	165
P	11.25	286
Q	16.5	419
R	21.25	540
S	24.5	622
T	20.25	514
U	17.25	438
V	50.75	1289
W	76.5	1943
X	81	2057
Y	84	2134
Z	71	1803



- A - AIR VENT
- B - HOT WATER INLET
- C - COLD WATER INLET
- D - MAIN POWER VIA
- E - COMPRESSED AIR
- F - STEAM INLET

REV	BY	DATE	REV. DESCRIPTION
A2	AFA	12-4-2021	Updated Electrical Specs
DRAWN BY		DATE	 Panama City, FL Phone: 850-249-2222 Fax: 850-249-2226 www.bandctech.com
A. Adcock		12-4-2009	
CHECKED BY		DATE	
S. Brown		12-4-2009	
DESCRIPTION			
General Technical Specifications <b>SI-200</b>			
DATE	FILE NAME	SHEET	
12-4-2009	SI-200GenSpec.cdr	1 OF 1	