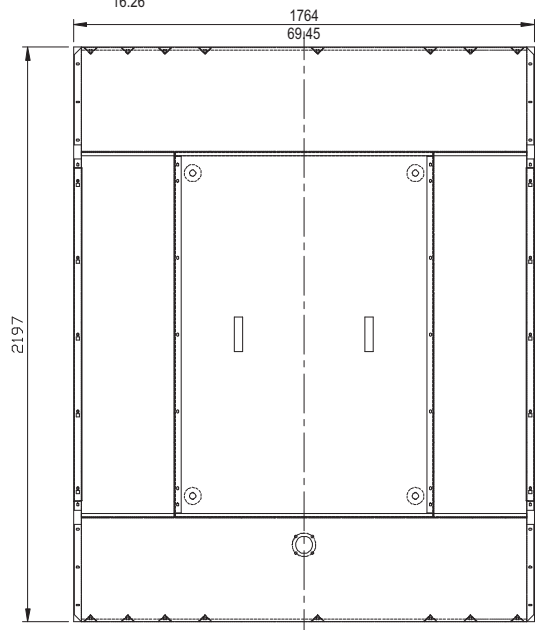
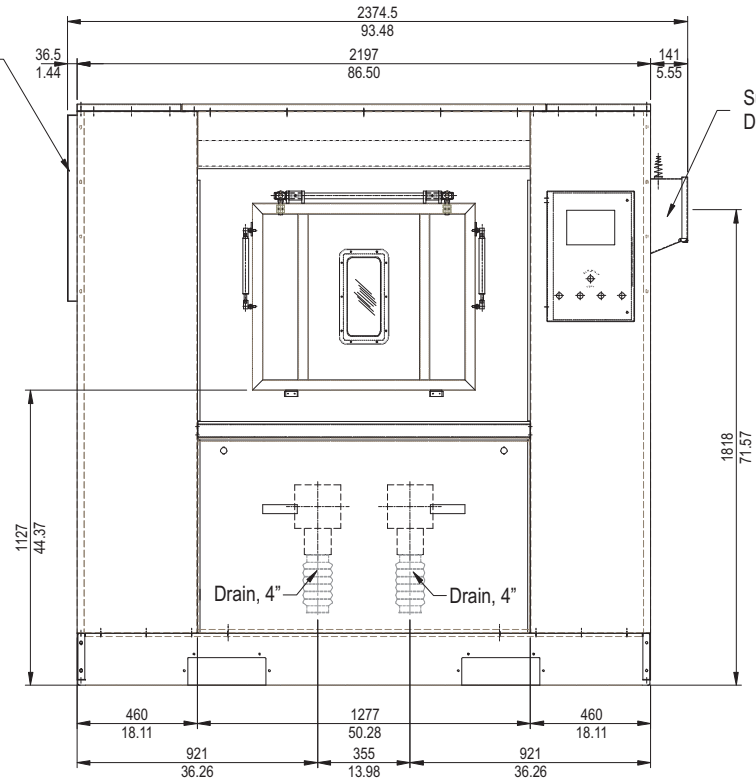



Electrical Enclosure



REV. 00	PRODUCT NAME.
APP.	SB-300 BARRIER WASHER/EXTRACTOR
CHK.	
DESIGN.	PART NAME.
DRW. A. Adcock	GENERAL TECHNICAL SPECIFICATIONS
	
B&C Technologies 440 West 11th Street Panama City, FL 32401 www.bandctech.com	
DATE. 21-May-2009	FILE Unit =MM. LAYER DWG. No.
SCALE.	0 SB-300 General Spec.cdr