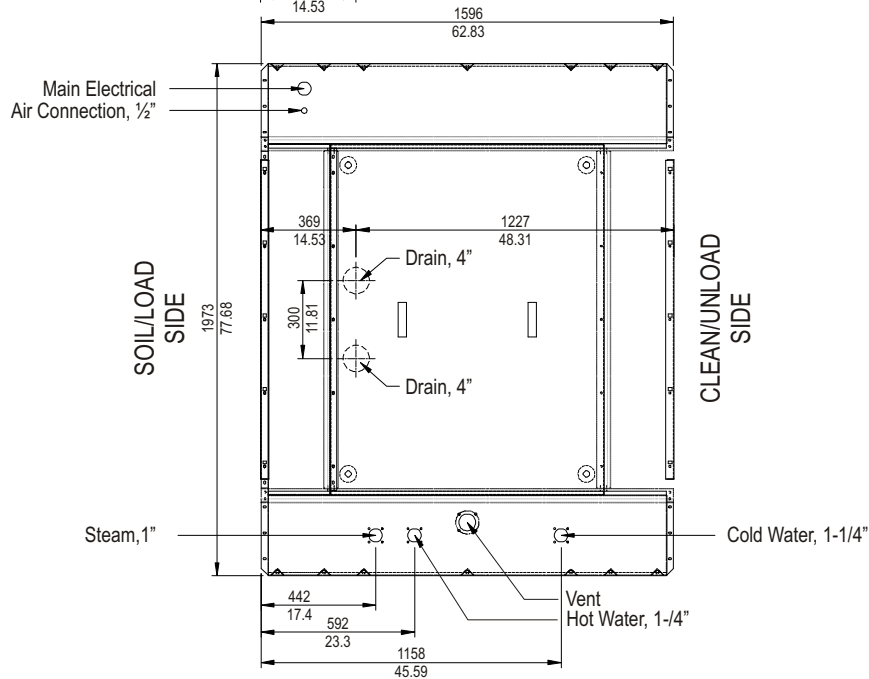
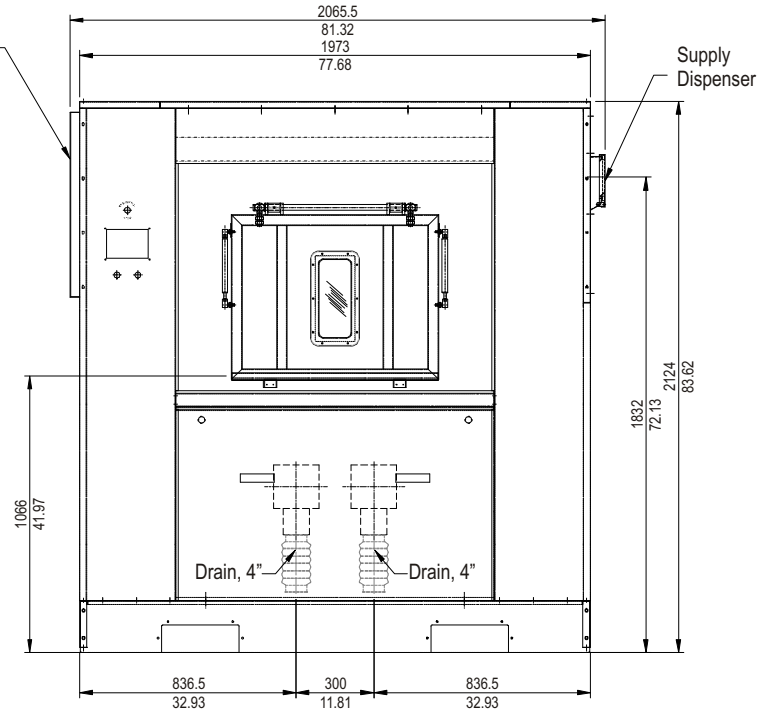



Electrical Enclosure



REV. 00	PRODUCT NAME.
APP.	SB-225 BARRIER WASHER/EXTRACTOR
CHK.	
DESIGN.	PART NAME.
DRW. A. Adcock	GENERAL TECHNICAL SPECIFICATIONS
	
B&C Technologies 440 West 11th Street Panama City, FL 32401 www.bandtech.com	
DATE. 21-May-2009	FILE Unit =MM. LAYER DWG. No.
SCALE.	0 SB-225 General Spec.cdr

Electrical Requirements

Phase	System Wire	Wire Size	Amps	Breaker
3	3 + GND	4	79	80
3	3 + GND	10	39	40

Drain Requirements

Connection Size		Discharge Rate		Min Sewer Line	
inches	mm	gal/min	liters/min	inches	mm
4	102	150	560	5	127

Water Requirements

Water				Flow Rate (@45PSI/3Bar)		Minimum Supply Line Size		Max Operating Pressure			
Connection Size		Line Pressure		Max Temp							
US	Metric	PSI	Bar	F	C	gal/min	liter/min	US	Metric		
1-1/4"	DN 32	30-75	2-5	200	93	37	140	1-1/2	DN 38	125 PSI	8 Bar

Steam Requirements

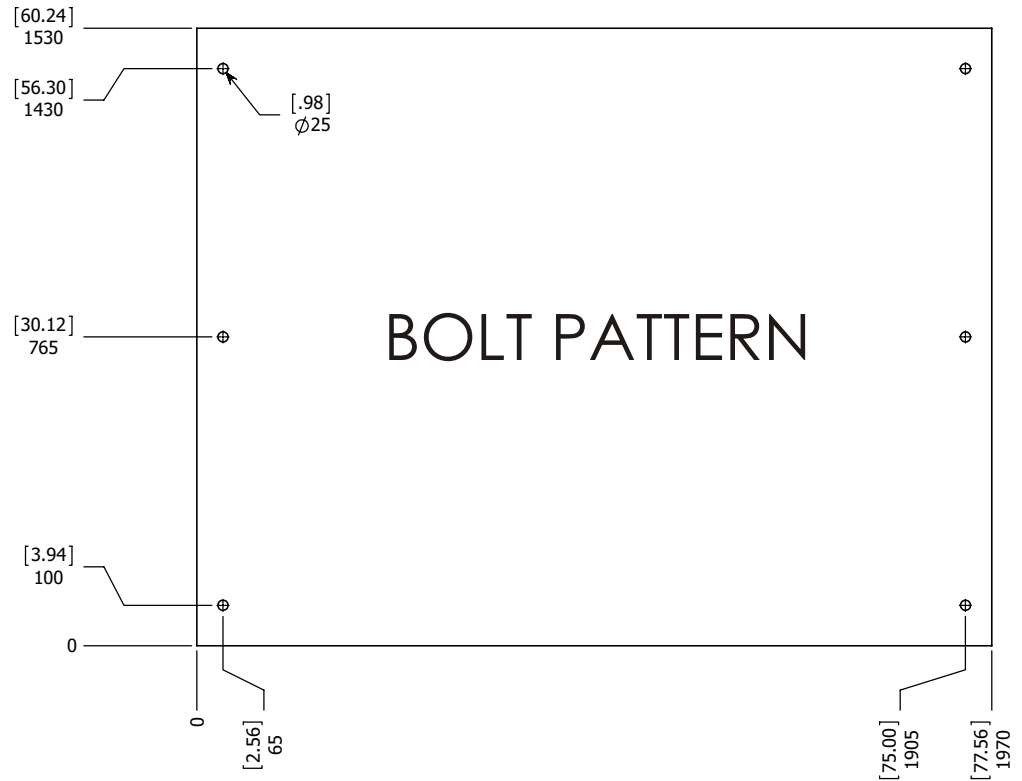
Steam				Minimum Supply Line Size		Max Operating Pressure	
Connection Size		Line Pressure					
US	Metric	PSI	Bar	US	Metric	US	Metric
1"	DN 25	30-75	2-5	1"	DN 19	100 PSI	6 Bar

Dynamic Load Specifications

Static floor load		Static pressure		Dynamic floor load		Dynamic pressure		Dynamic Frequency
kN	lbs	kN/m2	lbs-ft2	kN	lbs	kN/m2	lbs-ft2	Hz
32.41	7284	10.29	215	14	3145	4.4	93	12.8

Shipping Data

Type	lbs	kg	cu ft	cu m
Domestic	6204	2820	272	7.7
Export	6350	2886	283	8



REV. 00	PRODUCT NAME.		
APP.	SB-225 BARRIER WASHER/EXTRACTOR		
CHK.			
DESIGN.	PART NAME.		
DRW. A. Adcock	GENERAL TECHNICAL SPECIFICATIONS		
		B&C Technologies	
		440 West 11th Street Panama City, FL 32401 www.bandctech.com	
DATE. 21-May-2009	FILE	Unit =MM.	LAYER DWG. No.
SCALE.		0	SB-225 General Spec.cdr