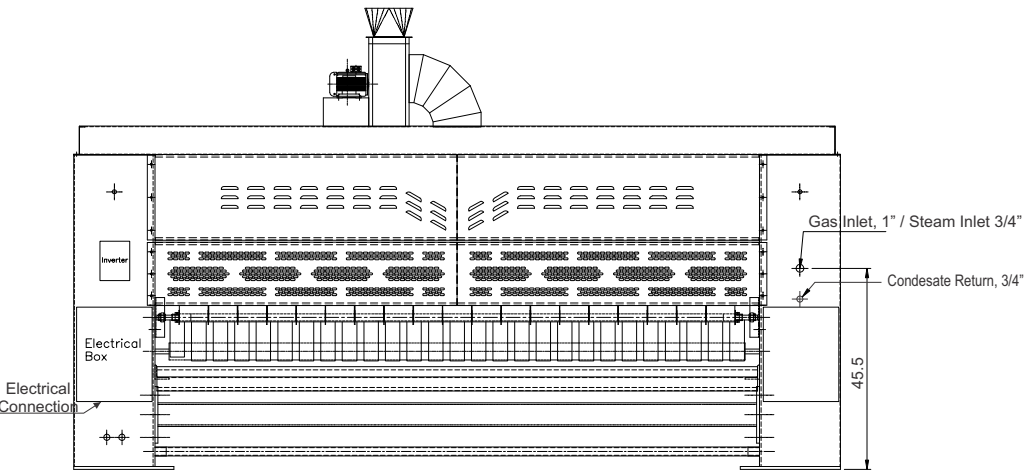
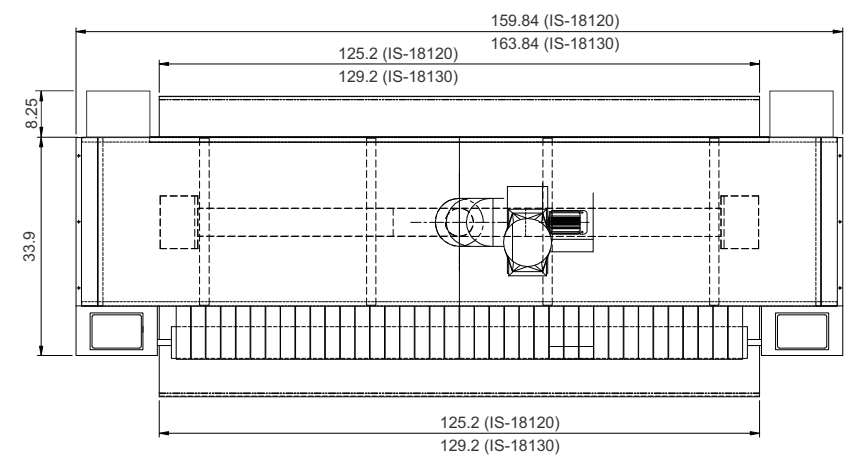
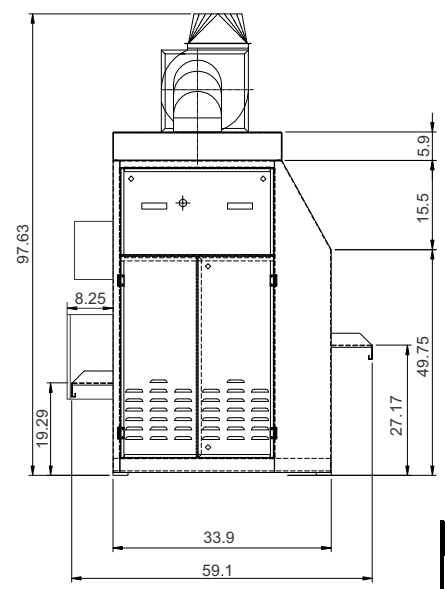
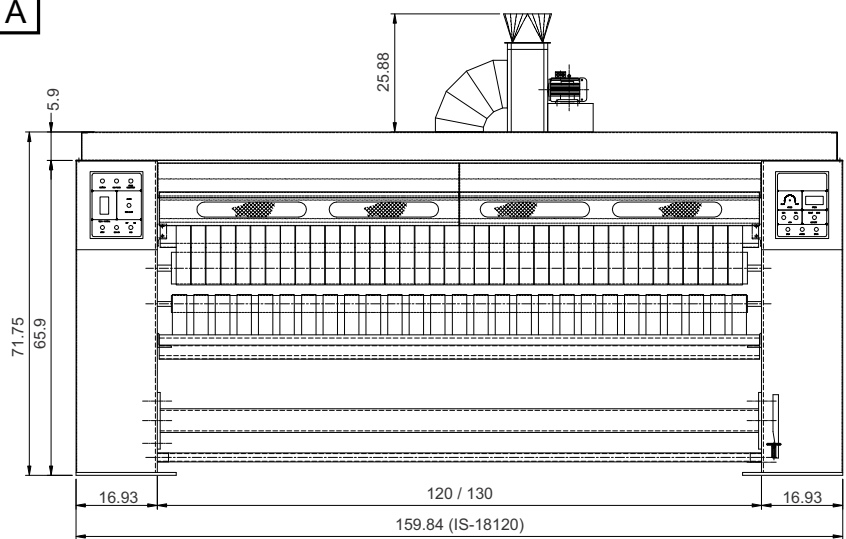



A



Model	Metric	US	IS-18120	
Number of Rolls		#	1	
Roll Diameter	mm	inch	457	18
Working Width	mm	inch	3048	120
Speed Range	m/min	ft/min	2.5-14	8-45
<b>Exhaust System</b>				
Air Flow, Primary	cmm	cfm	50	1765
Exhaust Duct	mm	inch	254	10
<b>Drive Information</b>				
Drive Motor	kW	HP	0.75	1
Delivery Motor	kW	HP	0.25	1/3
Blower Motor, Primary	kW	HP	1.5	2
<b>Steam</b>				
Consumption		BHP	4.4	
Pressure	bar	psi	6.3-8.8	90-125
Inlet Size	mm	inch	19.1	0.75
Outlet Size	mm	inch	12.7	0.5
<b>Gas</b>				
Heat Input		BTU	285,000	
Gas Inlet Size	mm	inch	25.4	1
<b>Electrical Service</b>				
208-240VAC, 50/60Hz, 3PH	Amps	Breaker	10	15
380-480VAC, 50/60Hz, 3PH	Amps	Breaker	5	15
<b>Weight &amp; Shipping</b>				
Net Weight	kg	lbs	1730	3806
Shipping Weight	kg	lbs	1910	4202
REV	BY	DATE	REV. DESCRIPTION	
A3	AFA	10-8-2012	Added 130 dims	
DRAWN BY		DATE	 Panama City, FL Phone: 850-249-2222 Fax: 850-249-2226 www.bandctech.com	
A. Adcock		12-2-2008		
CHECKED BY		DATE		
C. Oswald		12-2-2008		
DESCRIPTION				
General Technical Specifications <b>IS-18120/130 Ironer</b>				
DATE	FILE NAME	SHEET		
12-2-2008	IS-18120 Layout.cdr	1 OF 1		