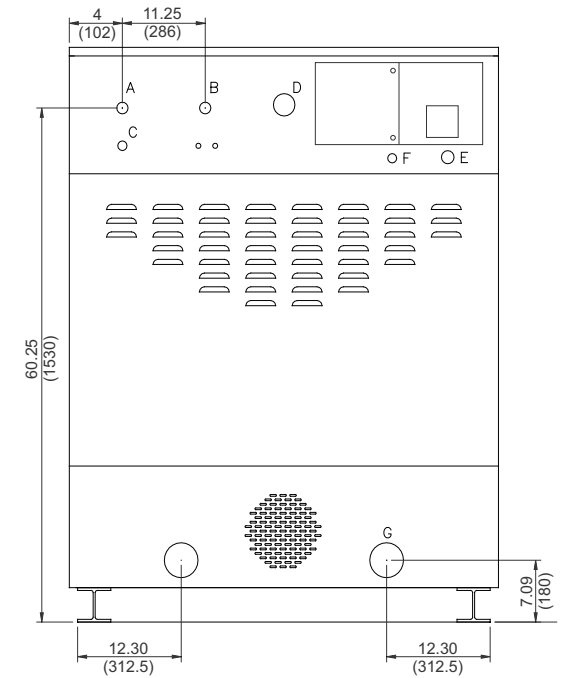
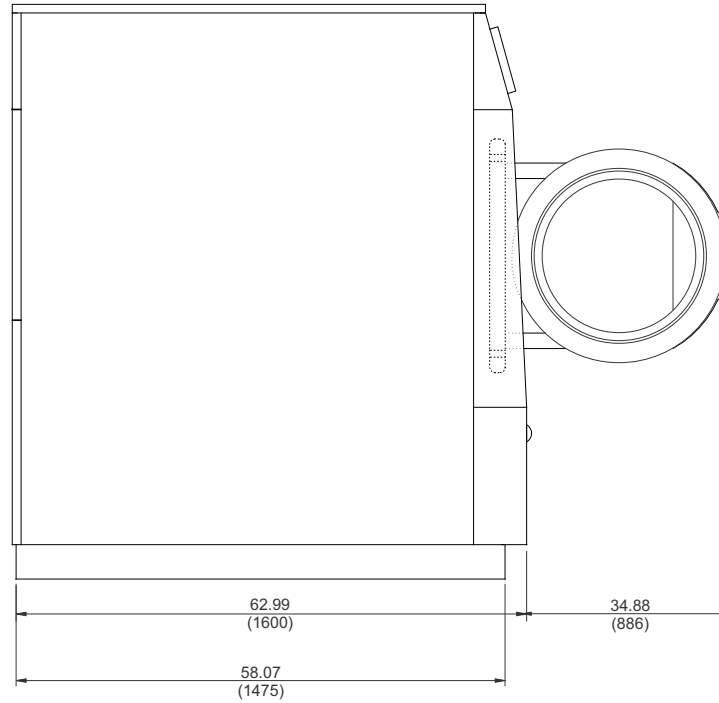
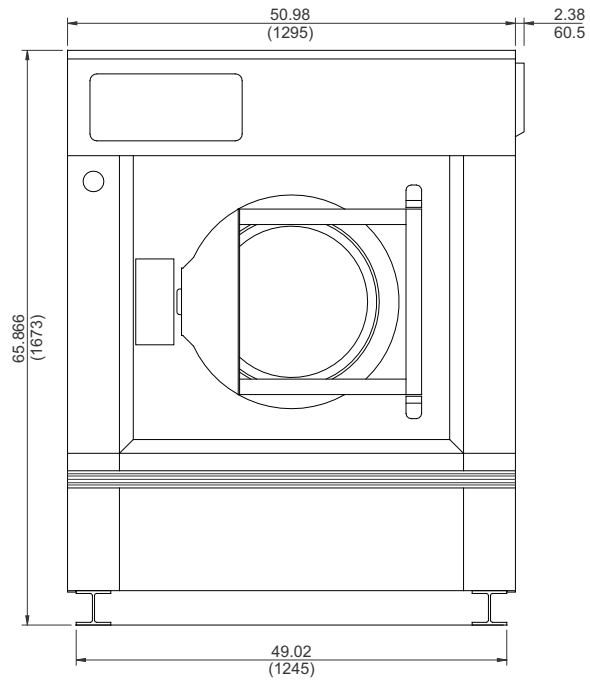
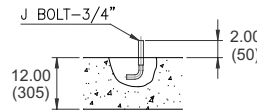
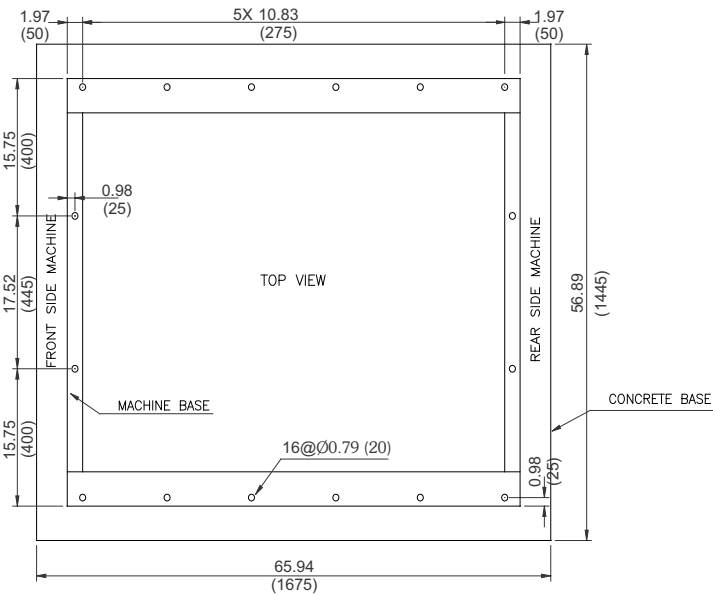


A



- A = HOT WATER INLET 1"
- B = COLD WATER INLET 1"
- C = STEAM INLET 1"
- D = AIR VENT 3"
- E = ELECTRICAL CABLE CONNECTION PG29 10 AWG
- F = EXTERNAL DISPENSOR CONNECTION PG21
- G = DRAIN CONNECTION 3"



Electrical Service

Service	Max Current	Breaker
208-240VAC, 50/60Hz, 3PH	32A	40A
Electric Heat	129A	140A
380-480VAC, 50/60Hz, 3PH	16A	20A
Electric Heat	73A	80A

REV A3	BY AFA	DATE 8-5-2016	REV. DESCRIPTION Added door swing
DRAWN BY A. Adcock		DATE 9-30-2013	 Panama City Beach, FL Phone: 850-249-2222 Fax: 850-249-2226 www.bandctech.com
CHECKED BY C. Oswald		DATE 9-30-2013	
DESCRIPTION General Technical Specifications HP-125			
DATE 9-30-2013	FILE NAME HP-125 General.cdr	SHEET 1 OF 1	