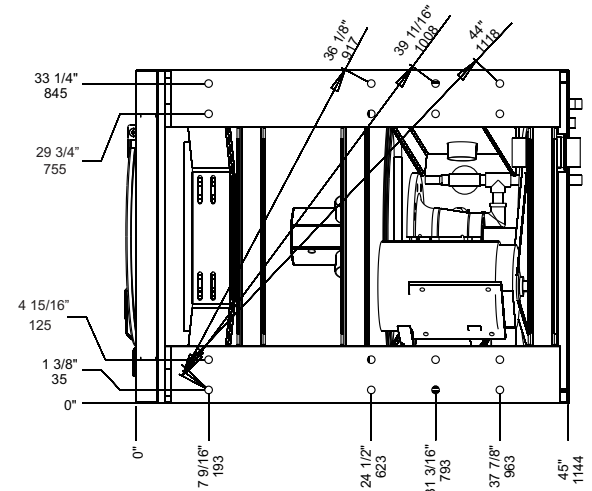
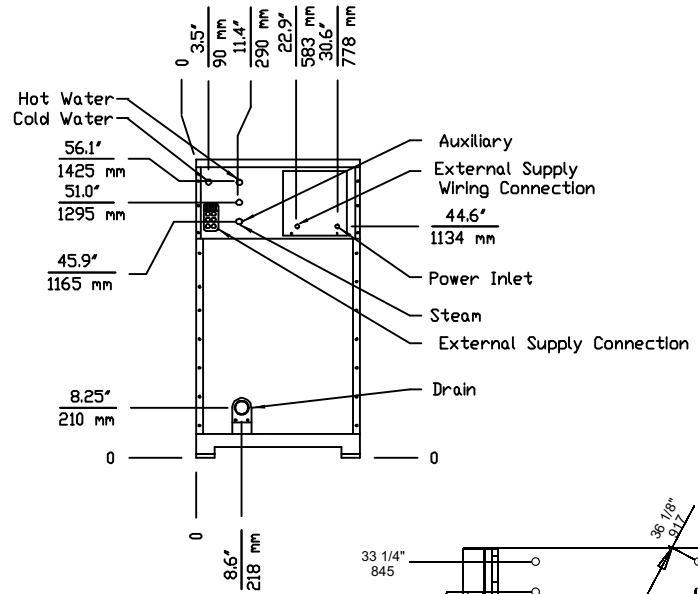
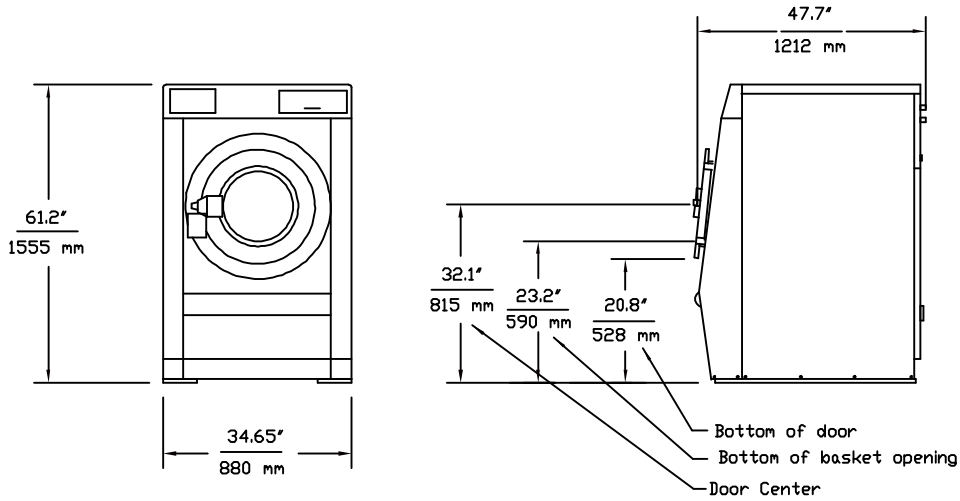


A



**MOUNTING BOLT DETAIL**

Foundation details are on pages 17-21 in the HE Series Installation & Operation Manual

**Electrical Requirements**

Voltage	Phase	System Wire	Amps	Breaker
208-240VAC, 50/60Hz, 1PH	1	2 + GND	8.8	15
208-240VAC, 50/60Hz, 3PH	3	3 + GND	5.1	15
380-460VAC, 50/60Hz, 3PH	3	3 + GND	2.5	15
208-240VAC, 50/60Hz, 3PH Elec. Heat	3	3 + GND	52	60
380-460VAC, 50/60Hz, 3PH Elec. Heat	3	3 + GND	26	30

**Drain Requirements**

Connection Size		Discharge Rate		Min Sewer Line	
inches	mm	gal/min	liters/min	inches	mm
3	76	62	235	4	102

**Water Requirements**

Hot Water						Flow Rate (@45PSI/3Bar)		Minimum Supply Line Size		Max Operating Pressure	
Connection Size		Line Pressure		Max Temp		gal/min	liter/min	US	Metric	US	Metric
US	Metric	PSI	Bar	F	C						
3/4"	DN 19	30-75	2-5	200	93	11	40	1	DN 25	125 PSI	8 Bar

**Steam Requirements**


Steam				Minimum Supply Line Size		Max Operating Pressure	
Connection Size		Line Pressure		US	Metric	US	Metric
US	Metric	PSI	Bar	US	Metric	US	Metric
1/2"	DN 12	30-75	2-5	1/2"	DN 12	100 PSI	6 Bar

**Dynamic Load Specifications**

Static Load		Dynamic Load		Dynamic Frequency
lbs	kN	lbs	kN	Hz
1300	5.8	1800	8.1	9.7

**Shipping Data**

Type	lbs	kg	cu ft	cu m
Domestic	1240	564	68	2
Export	1300	591	68	2

REV	BY	DATE	REV. DESCRIPTION
A1	AFA	9-30-2013	Created
DRAWN BY		DATE	 Panama City, FL Phone: 850-249-2222 Fax: 850-249-2226 www.bandctech.com
A. Adcock		9-30-2013	
CHECKED BY		DATE	
S. Brown		9-30-2013	
DESCRIPTION			
General Technical Specifications			
<b>HE-65</b>			
DATE	FILE NAME	SHEET	
9-30-2013	HE-65GenSpec.cdr	1 OF 1	