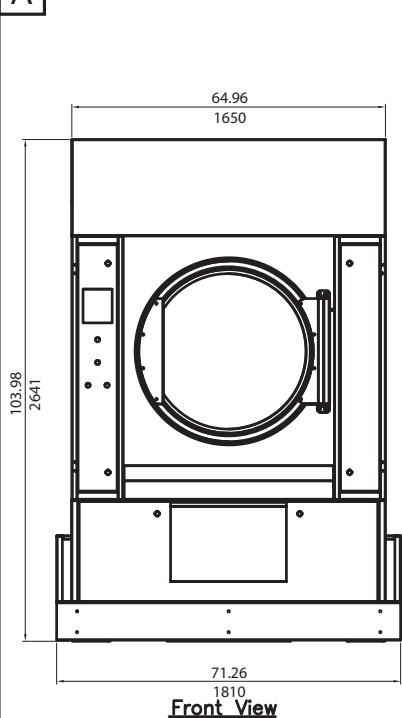
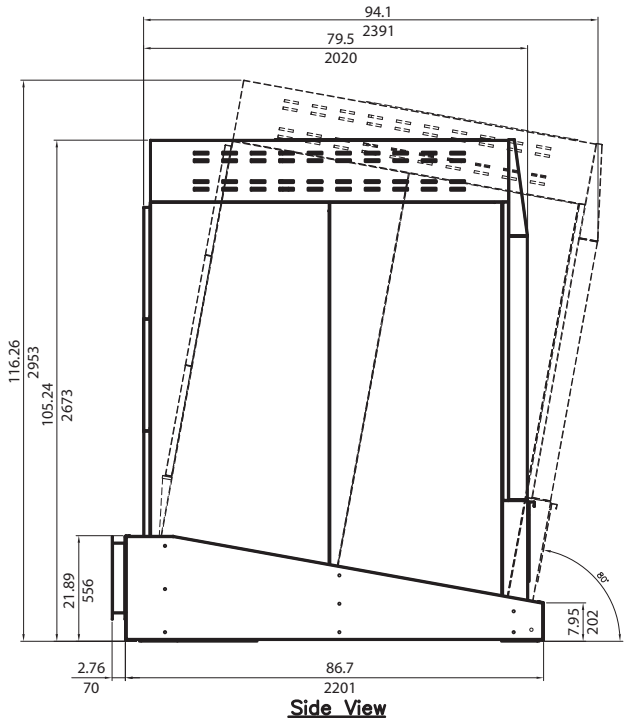


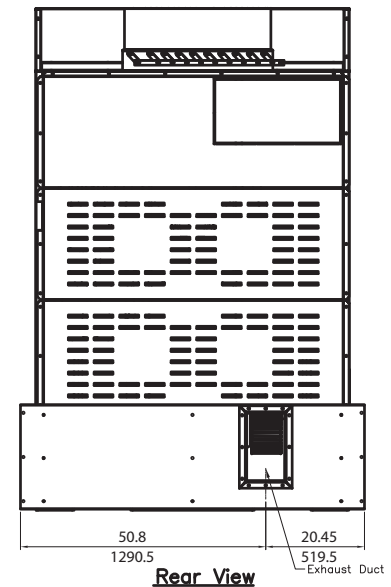
A



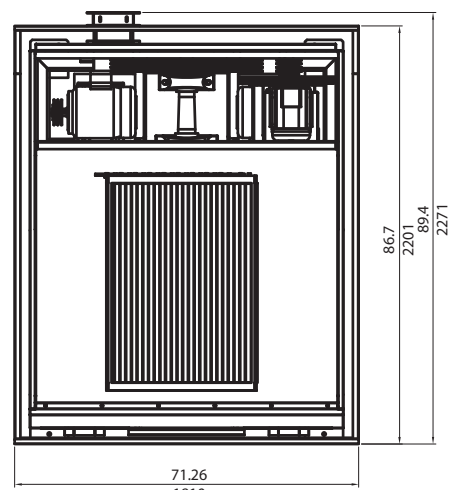
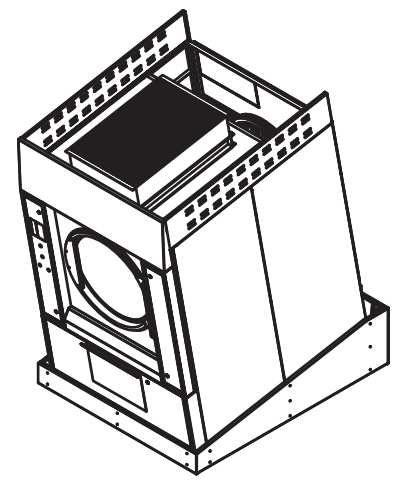
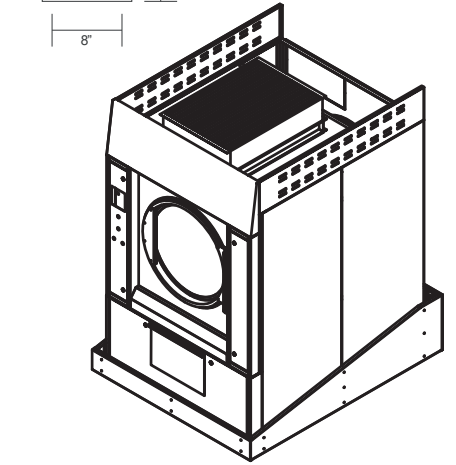
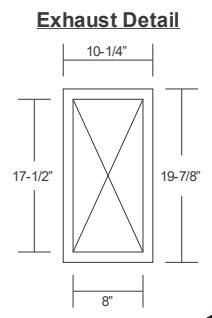
Front View



Side View




Rear View



Top View

DP-200	Units			
	English	Metric		
Cylinder Volume	cu ft	liters	75	2100
Capacity	lbs	kg	200	91
Gas Inlet	inch		1-1/4	
BTU/hr (Gas Heat)			760,000	
Steam Inlet	inch		2	
Steam Return	inch		1-1/4	
Steam Consumption			27 BHP	
Max Steam Pressure	psi	bar	125	9
Airflow (Gas Heat)	CFM	CMM	5,300	150
Airflow (Steam Heat)	CFM	CMM	6,500	184
Max Amps	208-230VAC	440-460VAC	34	16
Circuit Breaker			50	25
Weight	lbs	kg	2535	1149

REV A1	BY AFA	DATE 8-8-2012	REV. DESCRIPTION Created
DRAWN BY A. Adcock	DATE 8-8-2012	 Panama City, FL Phone: 850-249-2222 Fax: 850-249-2226 www.bandctech.com	
CHECKED BY C. Oswald	DATE 8-8-2012		
DESCRIPTION General Technical Specifications DP-200 1-Way Tilt			
DATE 8-8-2012	FILE NAME DP-200 Tilt General Specifications.pdf	SHEET 1 OF 1	