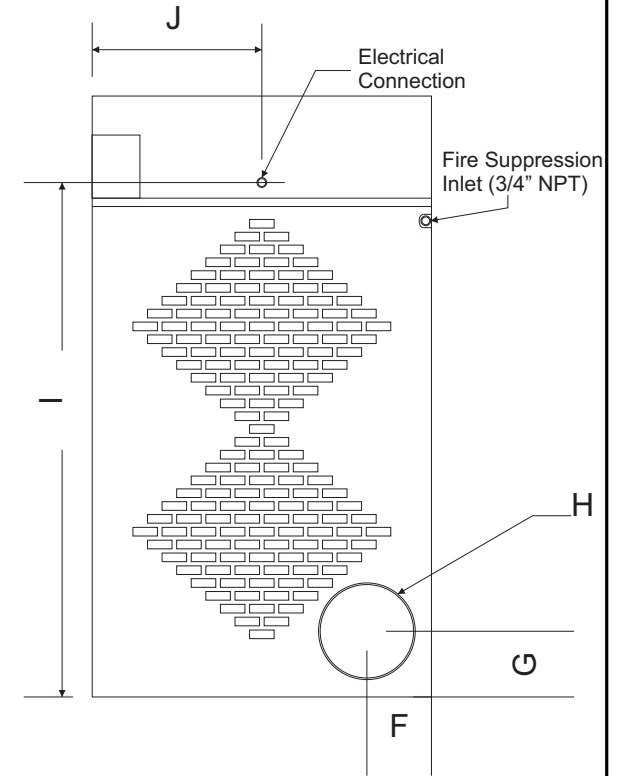
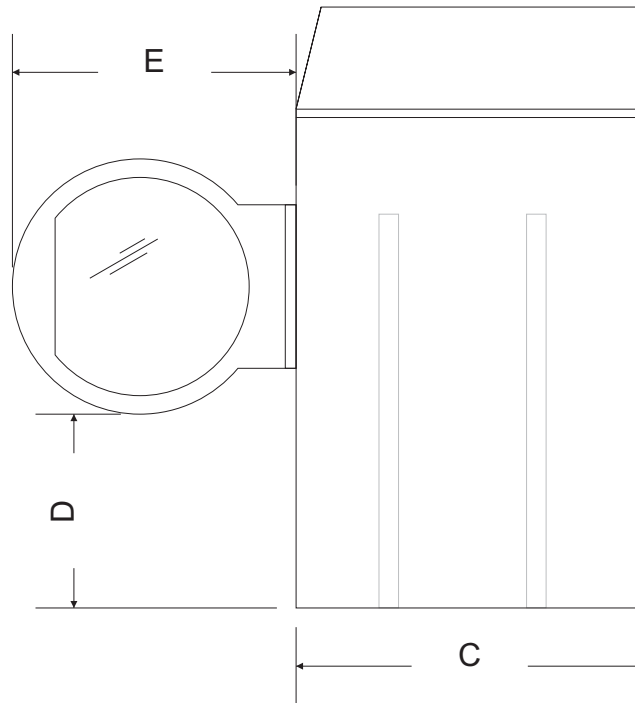
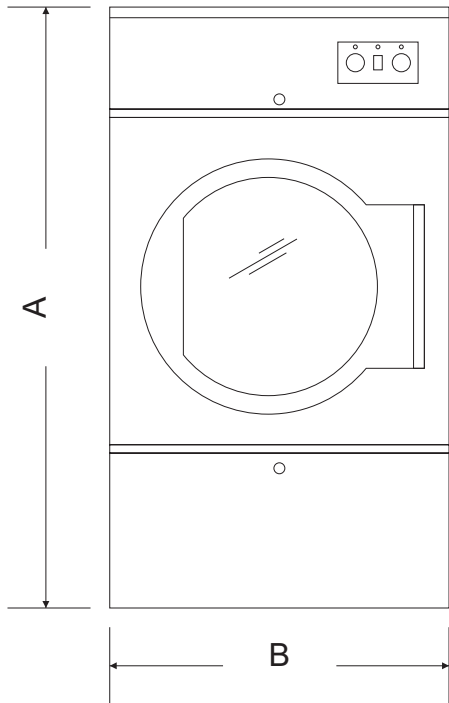



A



		DE-75					DE-75	
		English	Metric	Air Flow	CFM	cmm	900	25
A	Cabinet Height	79.5	2019	Heat Input	kW		36	
B	Cabinet Width	38.25	972	240V, 50/60Hz, 3PH	Amp	Breaker	98	100
C	Cabinet Depth	47.75	1213	380-460V, 50/60Hz, 3PH	Amp	Breaker	32	45
D	Door Height	30.25	768					
E	Door Swing	31.75	806					
F	Exhaust Horizontal	8.5	216					
G	Exhaust Vertical	19	483					
H	Exhaust Diameter	8	203					
I	Elec Vertical	62.6	1590					
J	Elec Horizontal	17	432					
	Shipping Weight	888	404					
	Net Weight	865	393					

REV	BY	DATE	REV. DESCRIPTION
A2	AFA	05-03-2017	Corrected height
DRAWN BY		DATE	 Panama City, FL Phone: 850-249-2222 Fax: 850-249-2226 www.bandctech.com
A. Adcock		04-08-08	
CHECKED BY		DATE	
C. Oswald		04-08-08	
DESCRIPTION			
General Technical Specifications DE-75 Electric Dryer			
DATE	FILE NAME	SHEET	
04-08-08	DE-75 Electric Layout.cdr	1 OF 1	