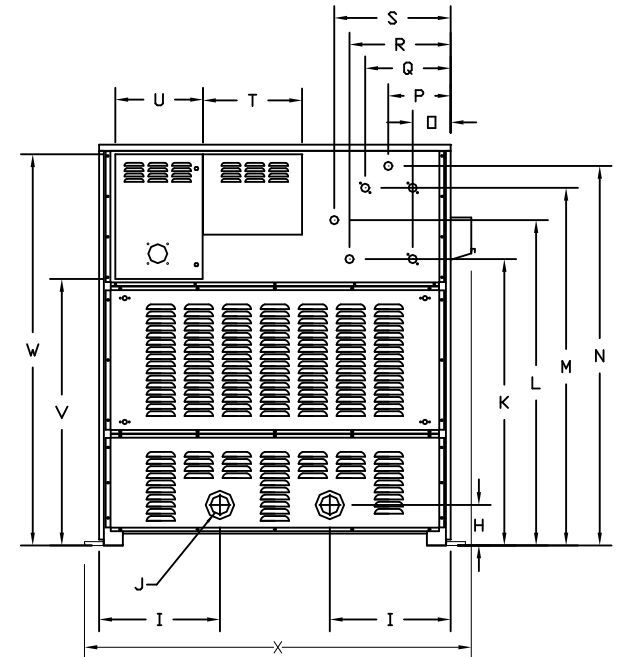
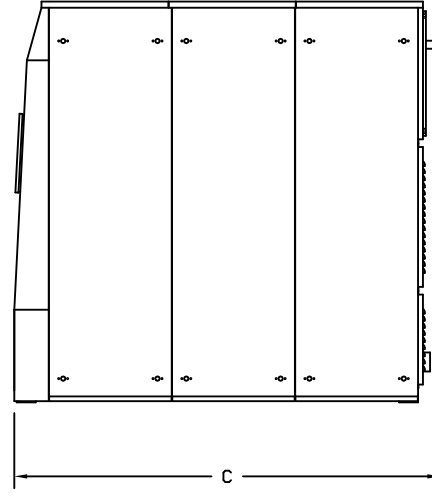
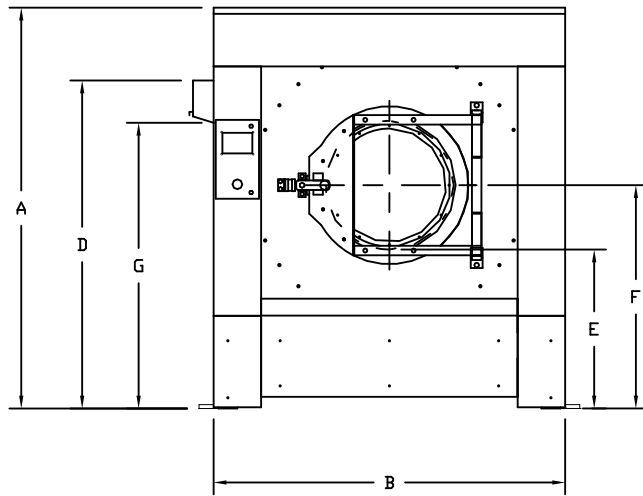


A



**Electrical Requirements**

Voltage	Phase	System Wire	Wire Size	Amps	Breaker
208-240VAC, 50/60Hz, 3PH	3	3 + GND	6ga	79	80
380-460VAC, 50/60Hz, 3PH	3	3 + GND	8ga	39	40

**Drain Requirements**

Connection Size		Discharge Rate		Min Sewer Line	
inches	mm	gal/min	liters/min	inches	mm
4	102	150	560	5	127

**Water Requirements**

Water				Max Temp		Flow Rate (@45PSI/3Bar)		Minimum Supply Line Size		Max Operating Pressure	
Connection Size		Line Pressure		F	C	gal/min	liter/min	US	Metric	US	Metric
US	Metric	PSI	Bar								
1-1/4"	DN 32	30-75	2-5	200	93	37	140	1-1/2	DN 38	125 PSI	8 Bar

**Steam Requirements**

Steam				Minimum Supply Line Size		Max Operating Pressure	
Connection Size		Line Pressure		US	Metric	US	Metric
US	Metric	PSI	Bar	US	Metric	US	Metric
1"	DN 25	30-75	2-5	1"	DN 19	100 PSI	6 Bar

**Compressed Air**

Connection Size		Consumption		Pressure	
US	Metric	US	Metric	US	Metric
	3/8" NPT	0.5CFM	0.01 CMM	80-100 PSI	5.5-5.7 BAR

**Dynamic Load Specifications**

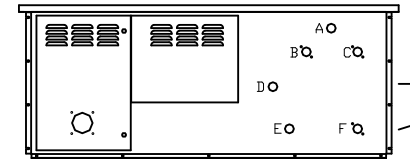
Static floor load		Static pressure		Total Dynamic Load		Dynamic pressure		Dynamic Frequency
kN	lbs	kN/m2	lbs/ft2	kN	lbs	kN/m2	lbs/ft2	Hz
49.3	11077	11.6	243	15.726672251	3534.894	3.7	77	11

**Shipping Data**

Type	lbs	kg	cu ft	cu m
Domestic	9460	4300	363.2	10.3
Export	9560	4345	363.2	10.3


**Dimensions**

Ref	Inch	mm
A	85	2159
B	74.25	1886
C	89	2261
D	69.5	1765
E	36.5	927
F	51.75	1314
G	61.5	1562
H	8.5	216
I	25.75	654
J	4	102
K	61.5	1562
L	71.5	1816
M	73	1854
N	79.5	-
O	5.75	146
P	10.75	-
Q	15.75	400
R	21.5	546
S	30	762
T	19.75	502
U	18.75	476
V	56.75	1441
W	82.5	2096
X	80	2032
Y		0
Z		0



- A - AIR VENT
- B - HOT WATER INLET
- C - COLD WATER INLET
- D - MAIN POWER VIA
- E - COMPRESSED AIR
- F - STEAM INLET

REV	BY	DATE	REV. DESCRIPTION
A1	AFA	12-4-2009	Created

DRAWN BY A. Adcock	DATE 12-4-2009	 Panama City, FL Phone: 850-249-2222 Fax: 850-249-2226 www.bandctech.com
CHECKED BY S. Brown	DATE 12-4-2009	

DESCRIPTION General Technical Specifications <b>SI-275</b>		
DATE 12-4-2009	FILE NAME SI-275GenSpec.cdr	SHEET 1 OF 1