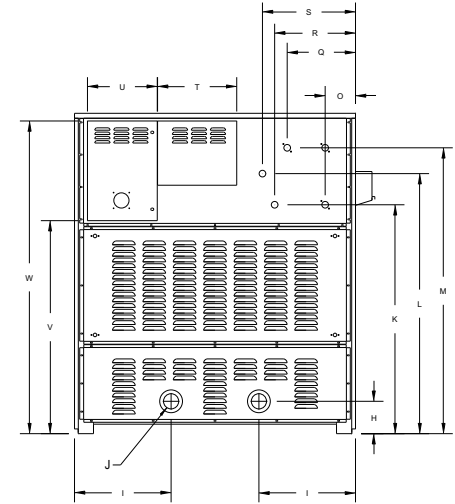
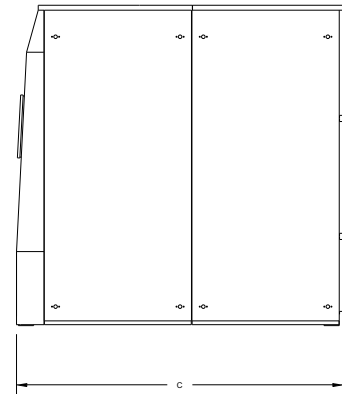
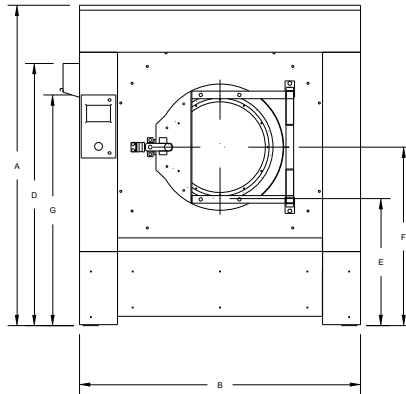
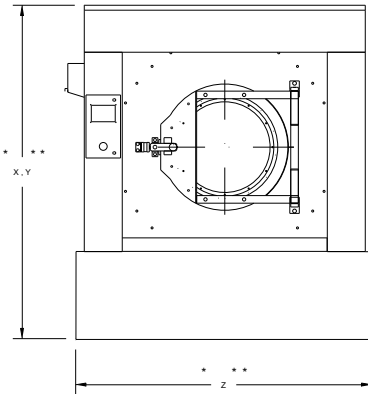
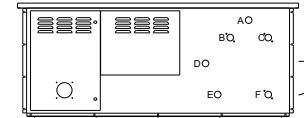


A



* One-way Tilt
** Two-way Tilt



A - AIR VENT
B - HOT WATER INLET
C - COLD WATER INLET
D - MAIN POWER VIA
E - COMPRESSED AIR
F - STEAM INLET

Electrical Requirements

Voltage	Phase	System Wire	Wire Size	Amps	Breaker
208-240VAC, 50/60Hz, 3PH	3	3 + GND	10ga	21	30
380-460VAC, 50/60Hz, 3PH	3	3 + GND	10ga	11	15

Drain Requirements

Connection Size		Discharge Rate		Min Sewer Line	
inches	mm	gal/min	liters/min	inches	mm
4	102	150	560	5	127

Water Requirements

Water				Flow Rate (@45PSI/3Bar)		Minimum Supply Line Size		Max Operating Pressure			
Connection Size		Line Pressure		Max Temp		Flow Rate (@45PSI/3Bar)		Minimum Supply Line Size		Max Operating Pressure	
US	Metric	PSI	Bar	F	C	gal/min	liter/min	US	Metric	US	Metric
1"	DN 25	30-75	2-5	200	93	30	113	1-1/4	DN 32	125 PSI	8 Bar

Steam Requirements

Steam				Minimum Supply Line Size		Max Operating Pressure	
Connection Size		Line Pressure		Line Size		Pressure	
US	Metric	PSI	Bar	US	Metric	US	Metric
3/4"	DN 19	30-75	2-5	3/4"	DN 19	100 PSI	6 Bar

Compressed Air

Connection Size		Consumption		Pressure	
US	Metric	US	Metric	US	Metric
3/8" NPT		0.5CFM	0.01 CMM	80-100 PSI	5.5-5.7 BAR

Dynamic Load Specifications

Static floor load		Static pressure		Total Dynamic Load		Dynamic pressure		Dynamic Frequency
kN	lbs	kN/m2	lbs/ft2	kN	lbs	kN/m2	lbs/ft2	Hz
22.4	5041	9.0	188	6.251677153	1405.193	2.5	52	13


Shipping Data

Type	lbs	kg	cu ft	cu m
Domestic	4400	2000	176.1	5
Export	4470	2032	176.1	5

Dimensions

Ref	Inch	mm
A	68.25	1734
B	62.75	1594
C	69.25	1759
D	59	1499
E	30.25	768
F	40.25	1022
G	56.5	1435
H	8.5	216
I	19.75	502
J	4	102
K	50	1270
L	54.5	1384
M	59.75	1518
N	--	--
O	7.75	197
P	--	--
Q	17.5	445
R	20.25	514
S	23.5	597
T	16.5	419
U	12.75	324
V	47.5	1207
W	65.75	1670
X	71	1803
Y	74	1880
Z	65.5	1664

REV	BY	DATE	REV. DESCRIPTION
A1	AFA	12-4-2009	Created

DRAWN BY A. Adcock	DATE 12-4-2009		Panama City, FL Phone: 850-249-2222 Fax: 850-249-2226 www.bandctech.com
CHECKED BY S. Brown	DATE 12-4-2009		

DESCRIPTION General Technical Specifications SI-110		
DATE 12-4-2009	FILE NAME SI-110GenSpec.cdr	SHEET 1 OF 1