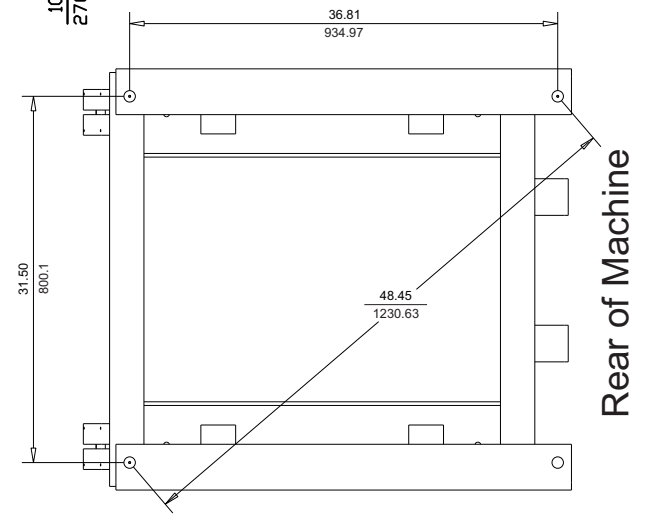
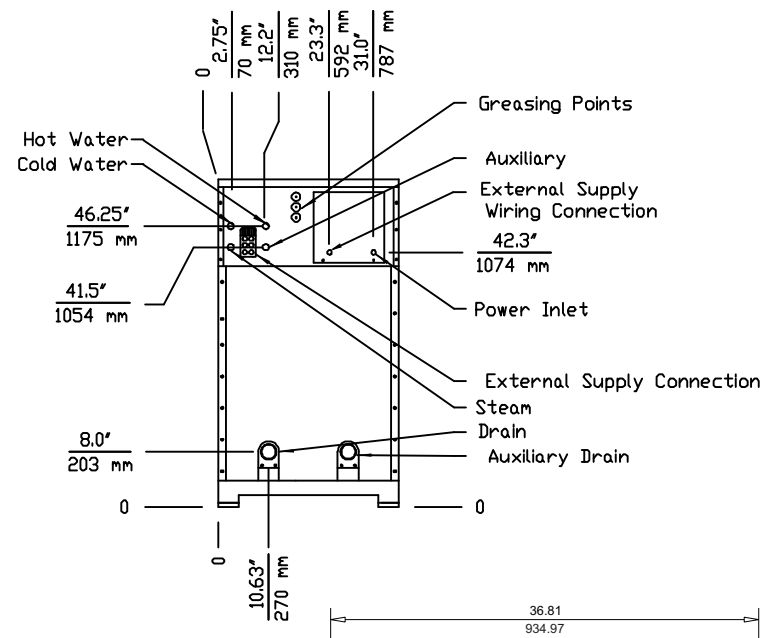
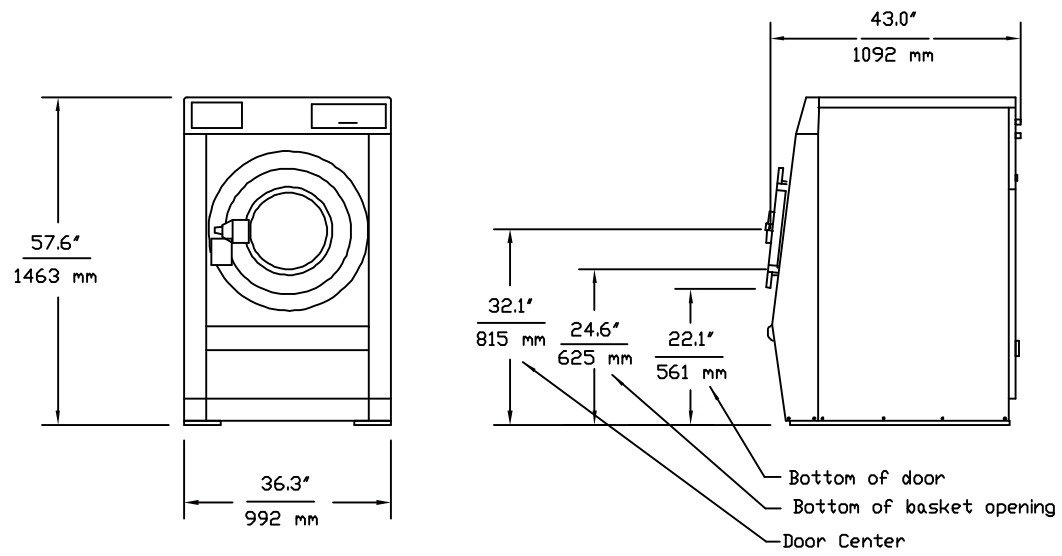


A



Electrical Requirements

Voltage	Phase	System Wire	Wire Size	Amps	Breaker
208-240VAC, 50/60Hz, 1PH	1	2 + GND	14	8	15
208-240VAC, 50/60Hz, 3PH	3	3 + GND	14	5	15
380-460VAC, 50/60Hz, 3PH	3	3 + GND	14	3	15
208-240VAC, 50/60Hz, 3PH Elec. Heat	3	3 + GND	4	48	60
380-460VAC, 50/60Hz, 3PH Elec. Heat	3	3 + GND	10	24	30

Drain Requirements

Connection Size		Discharge Rate		Min Sewer Line	
inches	mm	gal/min	liters/min	inches	mm
2-3/8	60	42	246	3	76

Water Requirements

Water				Flow Rate (@45PSI/3Bar)		Minimum Supply Line Size		Max Operating Pressure			
Connection Size		Line Pressure		Max Temp		Line Size		Pressure			
US	Metric	PSI	Bar	F	C	US	Metric	US	Metric		
3/4"	DN 19	30-75	2-5	200	93	11	40	3/4	DN 19	125 PSI	8 Bar

Steam Requirements

Steam				Minimum Supply Line Size		Max Operating Pressure	
Connection Size		Line Pressure		Line Size		Pressure	
US	Metric	PSI	Bar	US	Metric	US	Metric
1/2"	DN 12	30-75	2-5	1/2"	DN 12	100 PSI	6 Bar

Dynamic Load Specifications

Static floor load		Static pressure		Total Dynamic Load		Dynamic pressure		Dynamic Frequency
kN	lbs	kN/m2	lbs/ft2	kN	lbs	kN/m2	lbs/ft2	Hz
7.28	1635	7.2	150	2.8	631	2.8	58	16

Shipping Data


Type	lbs	kg	cu ft	cu m
Domestic	1330	605	66.1	1.9
Export	1380	627	66.1	1.9

Energy Star® Information

Machine	Gas Water Heater		Electric Water Heater		WF (low)	WF (high)
	MEF (low)	MEF (high)	MEF (low)	MEF (high)		
SP-45	6.3	7.8	5.5	5.9	3.94	13.64

MOUNTING BOLT DETAIL

Actual machine footprint is:
36-3/16" (920mm) W x 39-1/8" (995mm) D

REV A3	BY AFA	DATE 11-16-2023	REV. DESCRIPTION Added Energy Star® Info
DRAWN BY A. Adcock		DATE 9-30-2013	 Panama City, FL Phone: 850-249-2222 Fax: 850-249-2226 www.bandctech.com
CHECKED BY C. Oswald		DATE 9-30-2013	
DESCRIPTION General Technical Specifications SP-45			
DATE 9-30-2013	FILE NAME SP-45GenSpec.cdr	SHEET 1 OF 1	