

### Electrical Requirements

Voltage	Phase	System Wire	Amps	Breaker
208-240VAC, 50/60Hz, 1PH	1	2 + GND	22	30
208-240VAC, 50/60Hz, 3PH	3	3 + GND	12.7	15
380-460VAC, 50/60Hz, 3PH	3	3 + GND	6.3	15
208-240VAC, 50/60Hz, 3PH Elec. Heat	3	3 + GND	75	80
380-460VAC, 50/60Hz, 3PH Elec. Heat	3	3 + GND	38	40

### Drain Requirements

Connection Size		Discharge Rate		Min Sewer Line	
inches	mm	gal/min	liters/min	inches	mm
3	76	86	326	4	102

### Water Requirements

Water						Flow Rate (@45PSI/3Bar)		Minimum Supply Line Size		Max Operating Pressure	
Connection Size		Line Pressure		Max Temp		gal/min	liter/min	US	Metric	US	Metric
US	Metric	PSI	Bar	F	C						
3/4"	DN 19	30-75	2-5	200	93	30	113	1	DN 25	125 PSI	8 Bar

### Steam Requirements

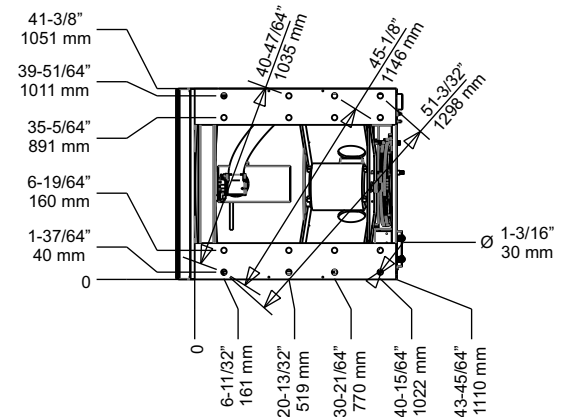
Steam				Minimum Supply		Max Operating	
Connection Size		Line Pressure		Line Size		Pressure	
US	Metric	PSI	Bar	US	Metric	US	Metric
3/4"	DN 19	30-75	2-5	3/4"	DN 19	100 PSI	6 Bar

### Dynamic Load Specifications

Static Load		Dynamic Load		200G Dynamic		400G Dynamic	
lbs	kN	lbs	kN	Frequency	Frequency	Frequency	Frequency
2269	10.1	6943	30.9	10.4	14.7		

### Shipping Data

Type	lbs	kg	cu ft	cu m
Domestic	1820	827	90.0	2.5
Export	1890	859	90.0	2.5




### MOUNTING BOLT DETAIL

Foundation details are in the HX Series Installation & Operation Manual

REV	BY	DATE	REV. DESCRIPTION
A1	AFA	8-11-2022	Created

DRAWN BY A. Adcock	DATE 8-11-2022	 Panama City Beach, FL Phone: 850-249-2222 Fax: 850-249-2226 www.bandctech.com
CHECKED BY P. Noblit	DATE 8-11-2022	

DESCRIPTION General Technical Specifications <b>HX-85</b>		
DATE 8-11-2022	FILE NAME HX-85GenSpec.cdr	SHEET 1 OF 1