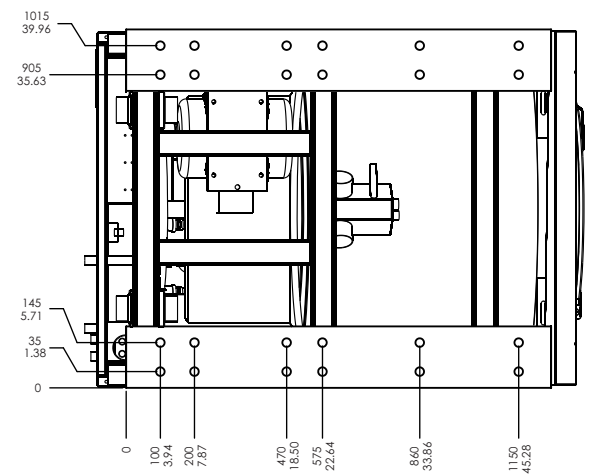
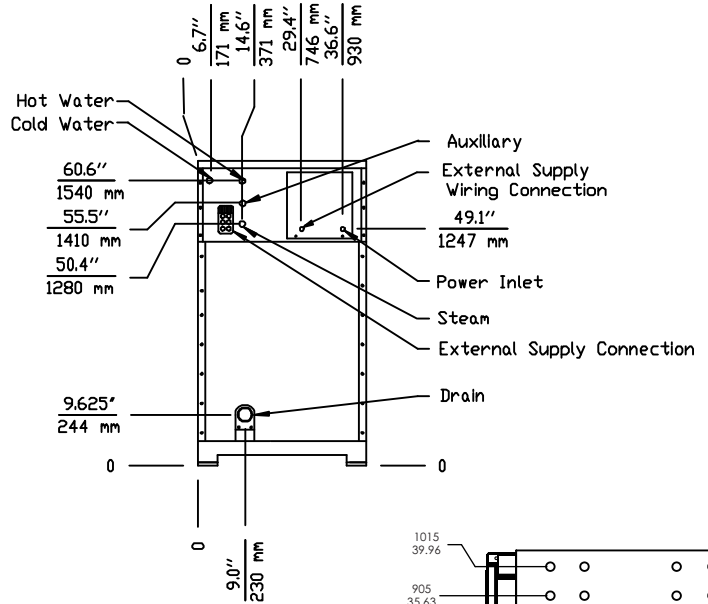
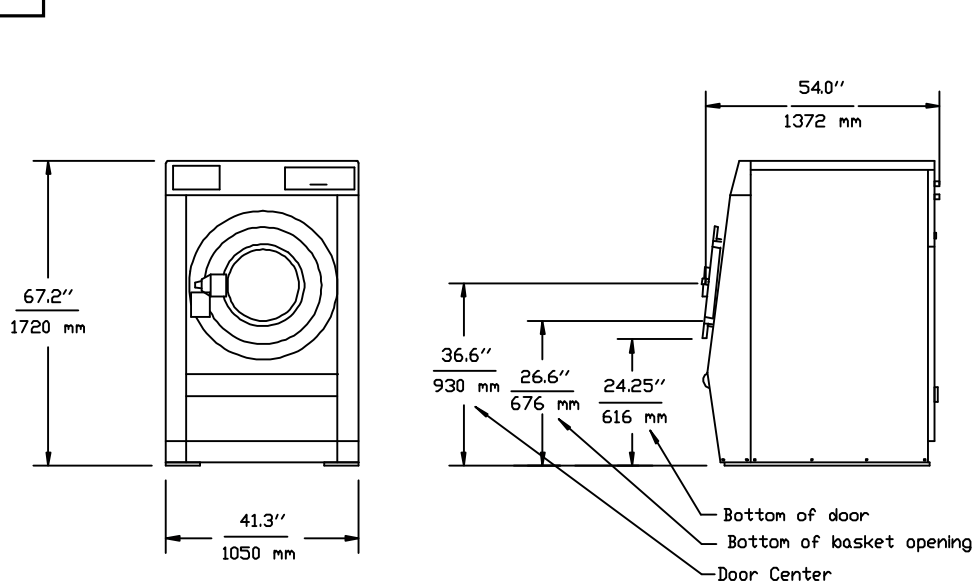


A



**Electrical Requirements**

Voltage	Phase	System Wire	Wire Size	Amps	Breaker
208-240VAC, 50/60Hz, 1PH	1	2 + GND	10	31	40
208-240VAC, 50/60Hz, 3PH	3	3 + GND	14	18	20
380-460VAC, 50/60Hz, 3PH	3	3 + GND	14	9	15
208-240VAC, 50/60Hz, 3PH Elec. Heat	3	3 + GND	3	80	100
380-460VAC, 50/60Hz, 3PH Elec. Heat	3	3 + GND	8	40	50

**Drain Requirements**

Connection Size		Discharge Rate		Min Sewer Line	
inches	mm	gal/min	liters/min	inches	mm
3	76	86	326	4	102

**Water Requirements**

Connection Size		Line Pressure		Max Temp		(@45PSI/3Bar)		Line Size		Pressure	
US	Metric	PSI	Bar	F	C	gal/min	liter/min	US	Metric	US	Metric
1"	DN 25	30-75	2-5	200	93	80	303	1	DN 25	125 PSI	8 Bar

**Steam Requirements**

Steam				Minimum Supply Line Size		Max Operating Pressure	
Connection Size		Line Pressure		US	Metric	US	Metric
3/4"	DN 19	30-75	2-5	3/4"	DN 19	100 PSI	6 Bar

**Dynamic Load Specifications**

Static Load		Dynamic Load		Dynamic Frequency
lbs	kN	lbs	kN	Hz
3152	14.02	4047	18	10.4


**Shipping Data**

Type	lbs	kg	cu ft	cu m
Domestic	2250	1023	94.5	2.7
Export	2370	1077	94.5	2.7

**MOUNTING BOLT DETAIL**

Foundation details are in the HE Series Installation & Operation Manual

Actual machine footprint is:  
41-11/32" (1050mm) W x 49-1/32" (1245mm) D

REV A2	BY AFA	DATE 7-31-2023	REV. DESCRIPTION Added machine footprint
DRAWN BY A. Adcock		DATE 9-30-2013	 Panama City, FL Phone: 850-249-2222 Fax: 850-249-2226 www.bandtech.com
CHECKED BY S. Brown		DATE 9-30-2013	
DESCRIPTION General Technical Specifications <b>HE-110</b>			
DATE 9-30-2013	FILE NAME HE-110GenSpec.cdr		SHEET 1 OF 1