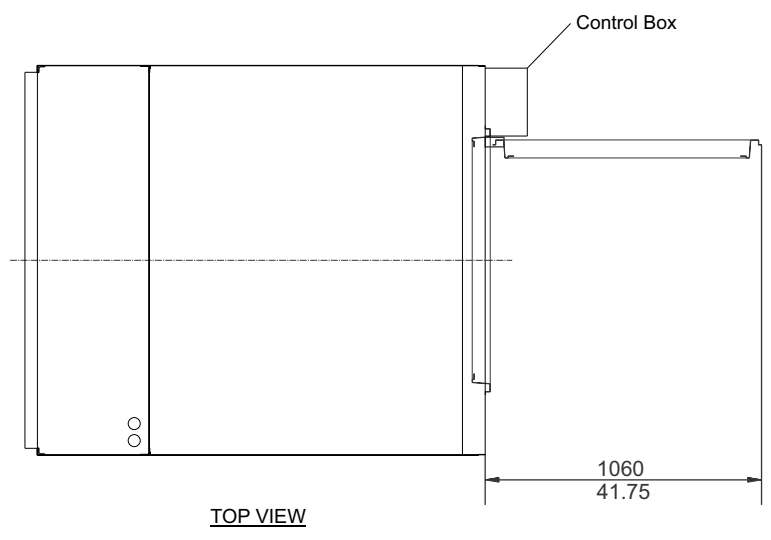
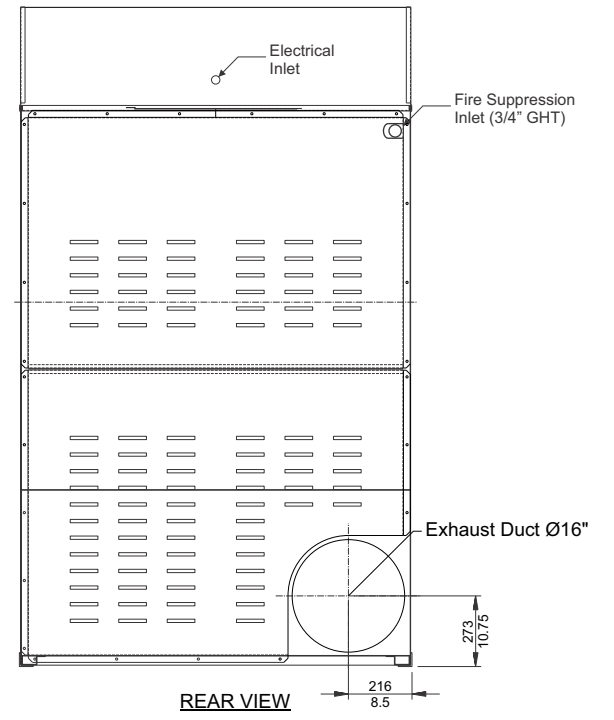
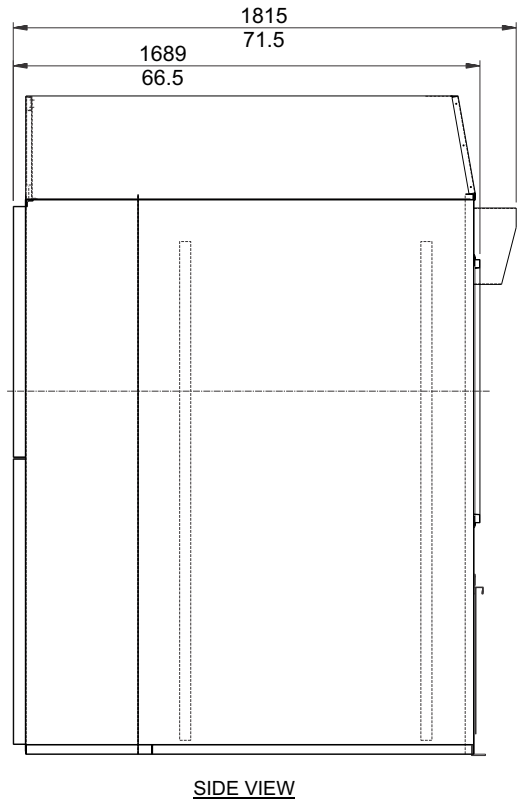
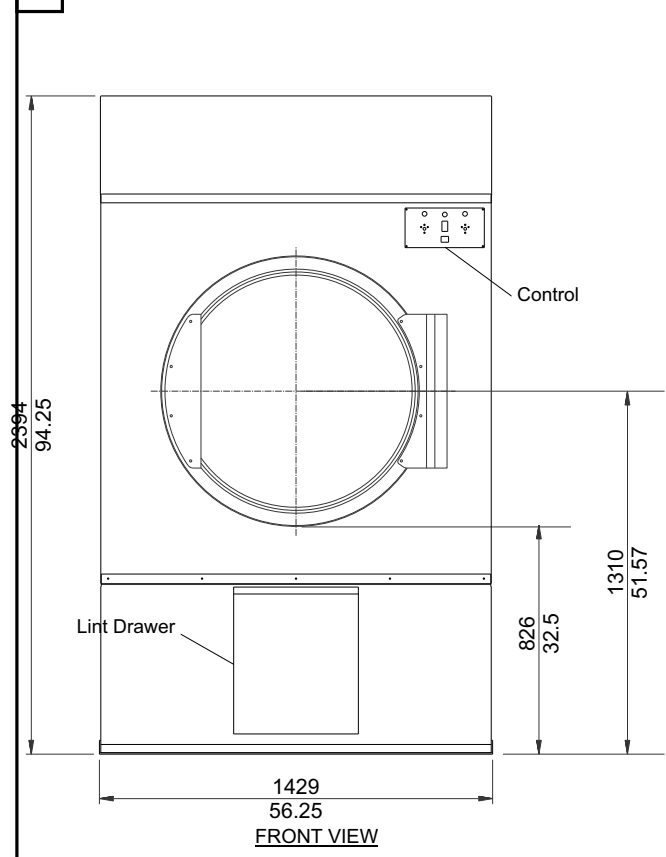


A



MODEL	Units		DE-170	
	US	Metric		
Maximum Capacity	lbs	kg	170	77
<b>Electric Heating</b>				
Air Flow	CFM	cmm	4000	113
<b>Electrical Requirements</b>				
Exhaust Outlet	inch	mm	16	406
208-230V, 50/60Hz, 3PH	Amp	Breaker	n/a	n/a
380-460V, 50/60Hz, 3PH	Amp	Breaker	106	150
<b>Weight and Shipping Information</b>				
Net Weight	lb	kg	2200	1000
Shipping Weight, Electric	lb	kg	2450	1114

REV A1	BY AFA	DATE 9-30-2013	REV. DESCRIPTION Created Drawing
DRAWN BY A. Adcock		DATE 9-30-2013	 Panama City, FL Phone: 850-249-2222 Fax: 850-249-2226 www.bandctech.com
CHECKED BY C. Oswald		DATE 9-30-2013	

DESCRIPTION

**General Technical Specifications**  
**DE-170 Electric Dryer**

DATE 9-30-2013	FILE NAME DE-170 Electric Layout.cdr	SHEET 1 OF 1
-------------------	---	-----------------